

[TopPage](#)>>[Search Result](#)>>7200BDB

# Angular Contact Ball Bearings

Bearing No. : **NACHI 7200BDB**

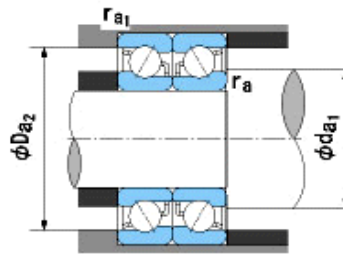
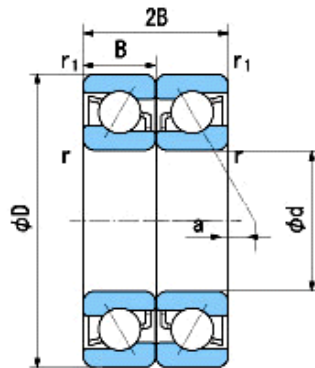
■ Bearing Type

■ Clearance

■ Tolerance Class

### Dimensions

d = 10<sup>0</sup><sub>-0.008</sub>  
 D = 30<sup>0</sup><sub>-0.009</sub>  
 B = 9<sup>0</sup><sub>0.000</sub>  
 r = 0.6~1  
 (Radial Direction)  
 r = 0.6~2  
 (Axial Direction)  
 r1 = 0.3~0.6  
 (Radial Direction)  
 r1 = 0.3~1  
 (Axial Direction)  
 a = 3.9



### Dimensions

da1(min) = 15  
 da2(min) = 12  
 Da1(max) = 25  
 Da2(max) = 27.4  
 ra(max) = 0.6  
 ra1(max) = 0.3  
 Mass = 0.068 kg

Basic Dynamic Load Rating Cr : **8,350** N

Basic Static Load Rating Cor : **5,150** N

Limiting Speed ;

Grease Lubrication : **16,000** min<sup>-1</sup>

Oil Lubrication : **22,000** min<sup>-1</sup>

	INNER RING	OUTER RING
O.D.Surface Runout with Side :		-
Axial Runout with Bore :	-	
Axial Runout with Raceway :	-	
Width Variation :	<b>0.015</b>	<b>0.015</b>
Radial Runout :	<b>0.010</b>	<b>0.015</b>